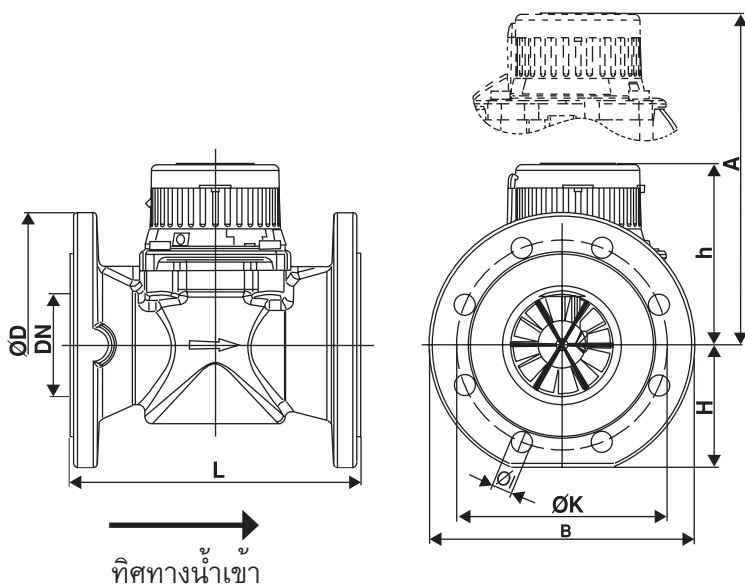


มาตรวัดน้ำรุ่น WP-MFD (Water Meter WP-MFD)



MODEL 222

Dimensions มิลลิ (mm.)

Size	L	H	H	A	B	D	K	I
8"	350	163	245	475	340	340	295	22
10"	450	193	242	472	405	405	350	23
12"	500	230	290	520	460	460	400	23
16"	500	290	311	580	580	580	515	27

Application

- Cold water up to 30 °C (safe up to 50 °C)
- Can be installed in any position
- Operating pressure up to 16 bar
- Flange to DIN 2501 and DIN 2533
- Overall lengths to DIN 19625 and DIN ISO 4064
- Encapsulated counter of glass/copper, protection class IP 68 (waterproof up to 5 m)

Features

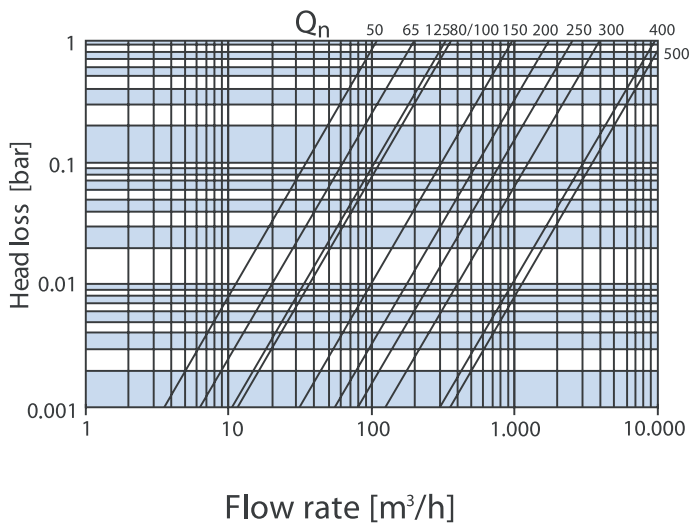
- EEC approval for metrological classes A/B
- Reverse running: Can be calibrated on request up to DN 65
- Removable measuring insert
- Sealed measuring insert for better accuracy in all installation positions
- Outstanding long-term accuracy through hydraulic bearing relief
- Wear-resistant plastic bearing
- Complete head unit with counter and sensors can be rotated by 350° for easier reading
- Integrated measurement outputs as standard
- Sensors for remote readout (digital) and flow measurement (analogue) can be retrofitted on site without affecting calibration
- Up to two different digital outputs and one analogue output simultaneously
- Sensors for forward and reverse metering
- Service-friendly handling
- Integral part of the FLYPPER® system

มาตรวัดน้ำรุ่น WP-MFD (Water Meter WP-MFD)

Technical Data

Model	222						
Performance data TYRBOT WP-MFD	DN	mm	200	250	300	400	500
Permissible continuous load	Qn	m ³ /h	325	600	700	1,250	2,000
Maximum load (1X24 h)	Qmax	m ³ /h	650	1,200	1,500	2,800	4,200
Starting		m ³ /h	2.5	5	10	15	20
Horizontal Transition flow	Qt	m ³ /h	6	20	50	50	80
Lower measuring range limit	Qmin	m ³ /h	4	12	18	30	45
Vertical Transition flow	Qt	m ³ /h	6	-	-	-	-
Lower measuring range limit	Qmin	m ³ /h	4	-	-	-	-
Flow rate at 0.1 bar head loss		m ³ /h	550	800	1,250	3,000	6,000
Weight		kg	47	75	165	190	300

Head Loss Graph WP-MFD



Typical Error Graph WP-MFD

